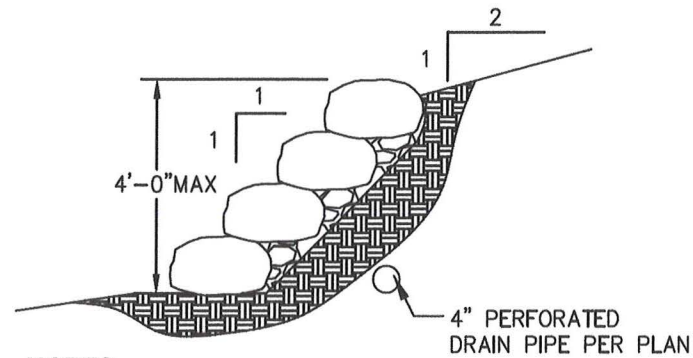


NOTES:

1. FOOTING SHALL BE PLACED ON UNDISTURBED NATIVE SOIL, COMPACTED FILL MATERIAL, OR CONTROLLED LOW-STRENGTH MATERIAL (CLSM).
2. FOOTING CONCRETE STRENGTH OF 2500 PSI OR GREATER REQUIRED.
3. STRUCTURAL ENGINEERING OF FOUNDATION AND FOUNDATION WALL RETAINING SLOPES BEHIND THE HOME IS RECOMMENDED.

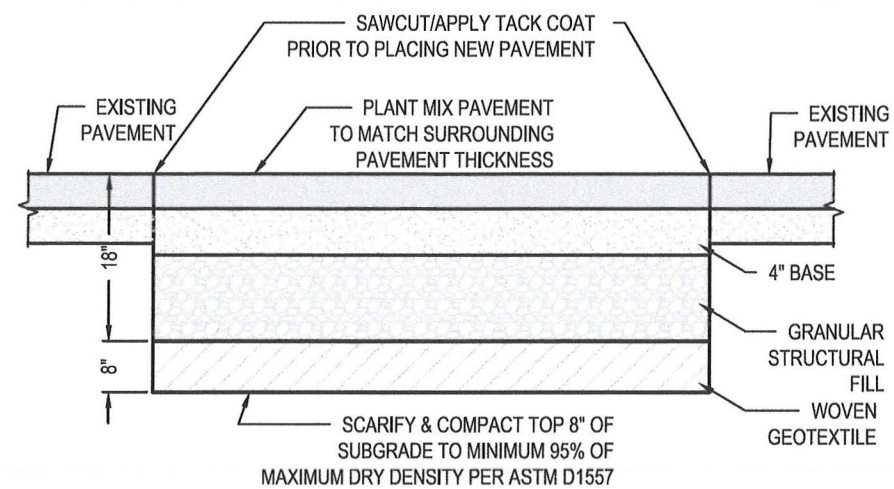
B1 BUILDING DRAINAGE SECTION
3 N.T.S.



NOTES:

1. EXISTING RETAINING WALLS MAY BE REPAIRED OR REPLACED.
2. MSE OR OTHER MANUFACTURED BLOCK MAY BE SUBSTITUTED FOR BOULDERS IN FINAL WALL DESIGN AND PLACEMENT.
3. FOR MAN-MADE WALL MATERIALS, FOLLOW MANUFACTURERS DETAILS AND SPECIFICATIONS.

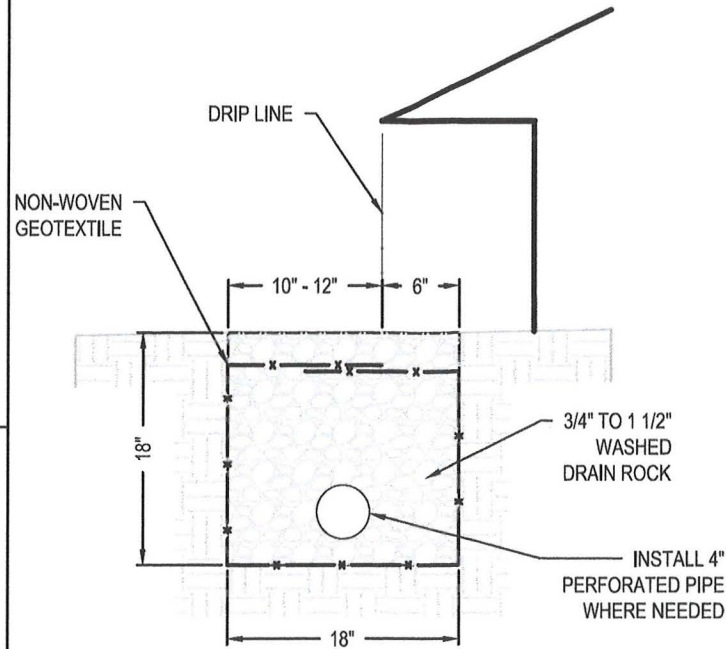
B2 BOULDER WALL DETAIL
3 N.T.S.



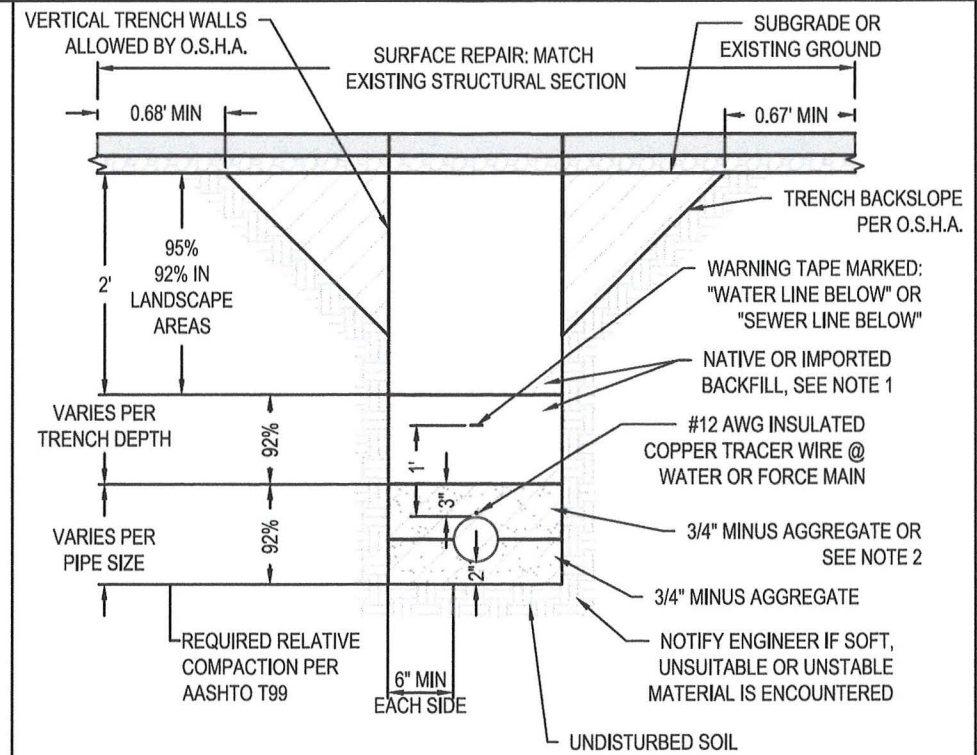
NOTES:

1. WOVEN GEOTEXTILE, ASPHALT PAVEMENT & AGGREGATE BASE MATERIALS AS SPECIFIED IN GENERAL NOTES.
2. GRANULAR STRUCTURAL FILL SHALL MEET THE REQUIREMENTS OF ISPWC SECTION 801 (1" OR 3" NOMINAL MAX SIZE) OR AGGREGATE BASE REQUIREMENTS.
3. IF EXISTING ASPHALT THICKNESS EXCEEDS 3", PROVIDE A 12" TAPER DOWN TO A 3" MAT OVER THE REPAIR AREA.

C2 FULL DEPTH PAVEMENT RECONSTRUCTION
3 N.T.S.



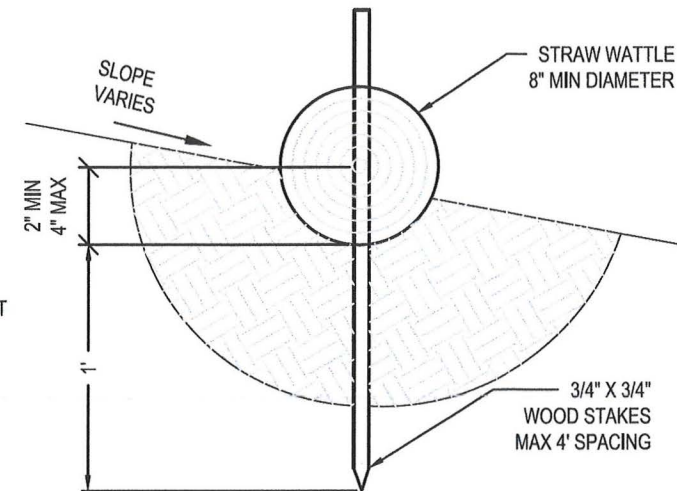
B3 DRIP LINE TRENCH
3 N.T.S.



NOTES:

1. BACKFILL SHALL BE 8" MINUS AND FREE FROM CINDERS, ASHES, REFUSE, ORGANIC OR OTHER UNSUITABLE MATERIALS.
2. SAND WITH 100% PASSING #4 SIEVE AND LESS THAN 3% PASSING THE #200 SIEVE OR 3" MINUS BALLAST MATERIAL WITH LESS THAN 12% PASSING THE #100 SIEVE ARE ALSO ACCEPTABLE.

C1 TYPICAL TRENCH
3 N.T.S.



NOTES:

1. STRAW WATTLES SHALL BE PLACED ALONG A LEVEL CONTOUR UNLESS OTHERWISE SHOWN.
2. TURN THE ENDS OF THE WATTLES UP SLOPE TO PREVENT RUNOFF FROM GOING AROUND THE ROLL.
3. IF MORE THAN ONE WATTLE IS PLACED IN A ROW, THE ROLLS SHALL BE OVERLAPPED A MINIMUM OF 12".
4. SEDIMENT SHALL BE REMOVED WHEN SEDIMENT ACCUMULATION REACHES ONE-HALF OF THE EXPOSED HEIGHT OF THE ROLL.
5. FIBER OTHER THAN STRAW MAY BE UTILIZED INSIDE OF ROLLS.

E1 STRAW WATTLES
3 N.T.S.

REVISION	DATE	DESCRIPTION

DETAILS

OWNER RANDY AND SUZANNE FRISCH
PROJECT SITE AND STORMWATER MANAGEMENT PLAN
LOCATION BONNER COUNTY, IDAHO

ENGINEERING
414 CHURCH STREET, SUITE 205 F
SANDPOINT, IDAHO 83864
(208) 914-4833
info@78Engineering.com



PROJECT NO: 1907
DRAWN BY: DWL
CHECKED BY: DWL
SCALE: NTS (11"x17" ONLY)